

KEL-EMC-PF cable assembly bracket

for mounting individual shield clamps



RoHS
compliant



The EMC bracket combined with the [matching PFS EMC shield clamp](#) is perfect in conjunction with the [KEL cable entry frame](#) for alleviating interferences due to shields.

The EMC clamp is assembled inside the control panel. For this process the fixing screws for the assembly of the KEL frame on the panel are used. A female screw thread M5 is already integrated in the KEL-EMC-PF bracket.

The KDR-EMC-PFM type can be mounted on icotek enclosure base plates with [slide frames KDR-ESR-VX25](#).

Depending on the cable diameter, the corresponding PFS shield clamp can be snapped onto the EMC bracket.

Specifications

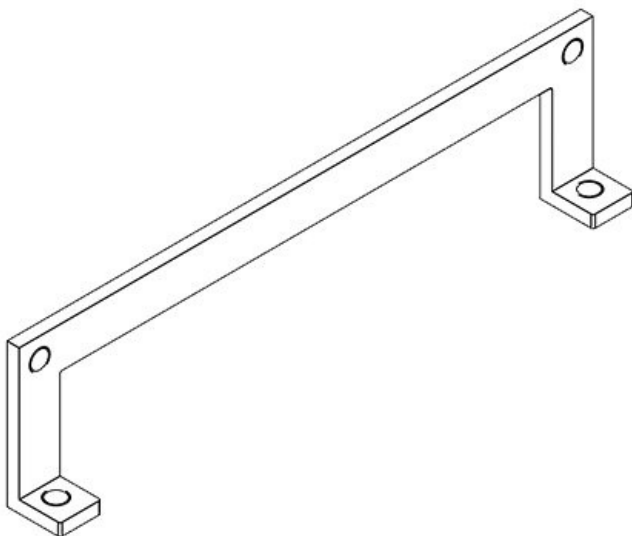
Material	Mild steel, galvanically zinc plated
Mounting options	Screw type mounting

Advantages & Benefits

- Large surface contact between cable shield and housing, especially on conductive coated surfaces
- Easily combines cable routing, EMC and strain relief due to the use of the same mounting holes
- M5 Mounting hole for earthing tape or PE connection
- Direct, easy and quick contact to the enclosure
- Designed for high density applications
- Replacement for EMC cable glands, even for pre-terminated cables

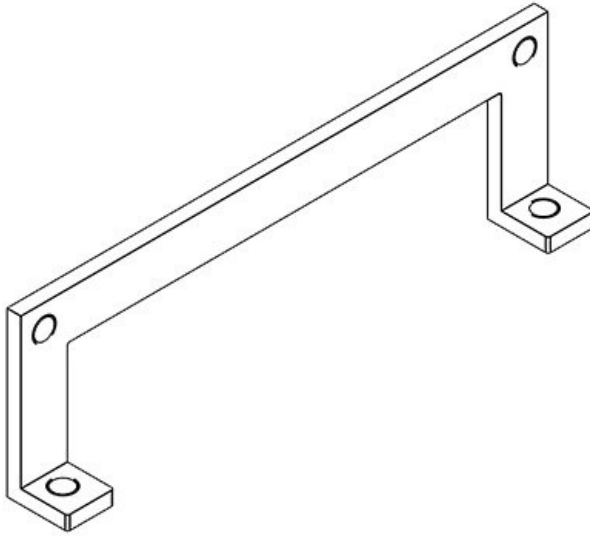
Product types & Sizes

KEL-EMC-PF 24



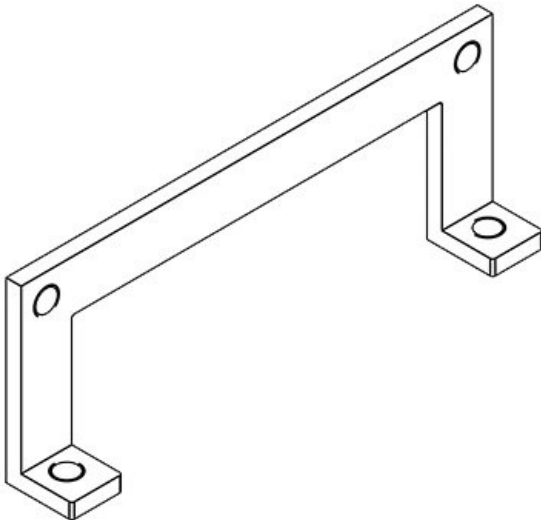
Part No.	39180	Mounting height	13 mm
EAN	4251269305993	Suitable for cable entry systems:	KEL-ER 24, KEL-ER-E5, KEL 24, KEL-E5, KEL-U 24, KEL-FG-E5, KEL-QUICK 24, KEL-QUICK-E5, KEL-BES 24, KEL-BES-S 24, KEL-DPZ 24, KEL-DPZ-E, KEL-DPU 24
Package quantity	1		
Length L1	140 mm		
Length L2	130 mm		
Width	35 mm		
Height	13 mm		

KEL-EMC-PF 16



Part No.	39170	Mounting height	13 mm
EAN	4251269305986	Suitable for cable entry systems:	KEL-ER 16, KEL-ER-E4, KEL 16, KEL-E4, KEL-U 16, KEL-QUICK 16, KEL-QUICK-E4, KEL-BES 16, KEL-BES-S 16, KEL-DPZ 16
Package quantity	1		
Length L1	113 mm		
Length L2	103 mm		
Width	35 mm		
Height	13 mm		

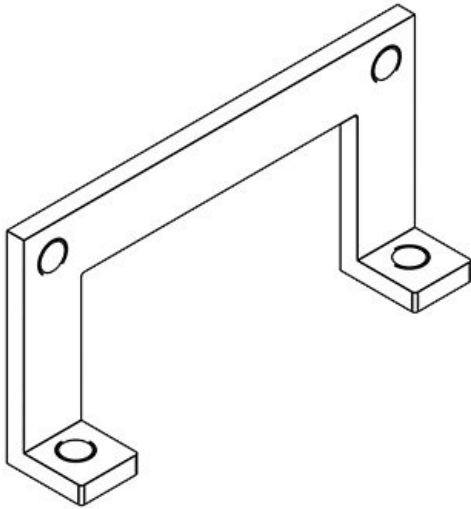
KEL-EMC-PF 10



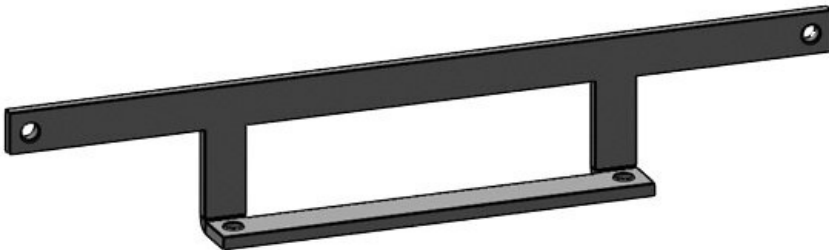
Part No.	39160	Mounting height	13 mm
EAN	4251269305979	Suitable for cable entry systems:	KEL-ER 10, KEL-ER-E3, KEL 10, KEL-E3, KEL-U 10, KEL-FG-E3, KEL-QUICK 10, KEL-QUICK-E3, KEL-BES 10, KEL-BES-S 10
Package quantity	1		
Length L1	93 mm		
Length L2	83 mm		
Width	35 mm		
Height	13 mm		

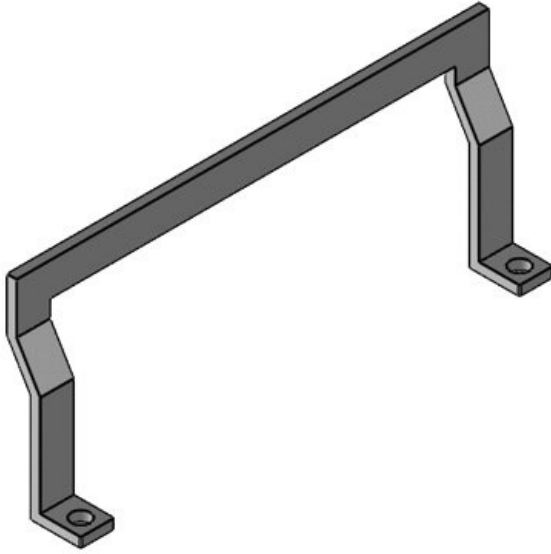
KEL-EMC-PF-B

Part No.	39150	Mounting height	13 mm
EAN	4251269305	Suitable for cable entry systems:	KEL-ER-B, KEL-ER-E2, KEL-B, KEL-U-B, KEL-FG-E2, KEL-QUICK-B, KEL-QUICK-E2, KEL-DPZ-B
Package quantity	1		
Length L1	68 mm		
Length L2	58 mm		
Width	35 mm		
Height	13 mm		

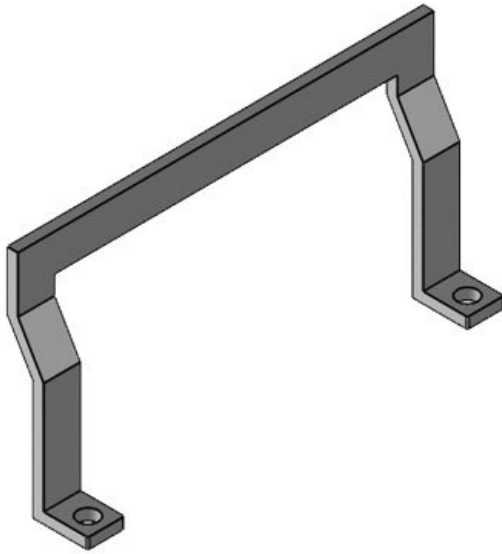
**KEL-EMC-PF 183**

Part No.	39190	Mounting height	13 mm
EAN	4251269318	Suitable for cable entry systems:	KEL 183, KEL 183-E
Package quantity	1		
Length L1	200 mm		
Length L2	95 mm		
Width	35 mm		
Height	13 mm		





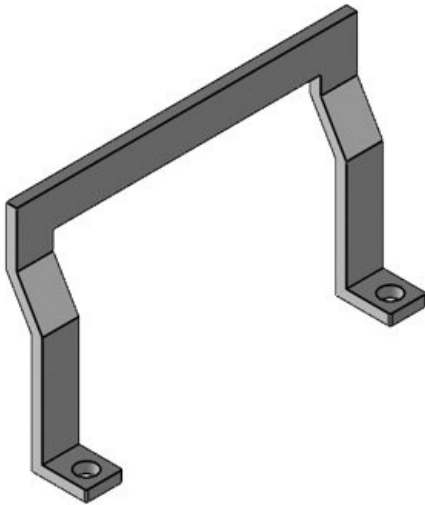
Part No.	39181	Mounting height	22 mm
EAN	4251269318	Suitable for cable entry systems:	KEL-ER 24, KEL-U 24, KEL-QUICK 24, KEL-BES 24, KEL-BES-S 24, KEL-DPZ 24, KEL-DPU 24
Package quantity	1		
Length L1	140 mm		
Length L2	130 mm		
Width	60 mm		
Height	22 mm		



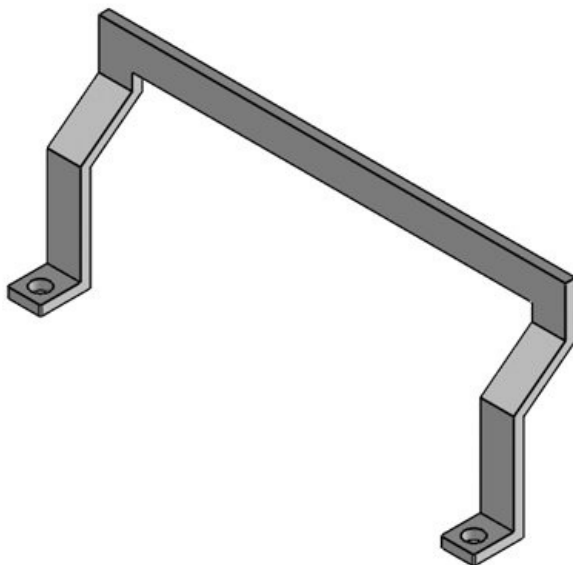
Part No.	39183	Mounting height	22 mm
EAN	4251269318	Suitable for cable entry systems:	KEL-ER 16, KEL-U 16, KEL-QUICK 16, KEL-BES 16, KEL-BES-S 16, KEL-DPZ 16
Package quantity	1		
Length L1	113 mm		
Length L2	103 mm		
Width	60 mm		
Height	22 mm		

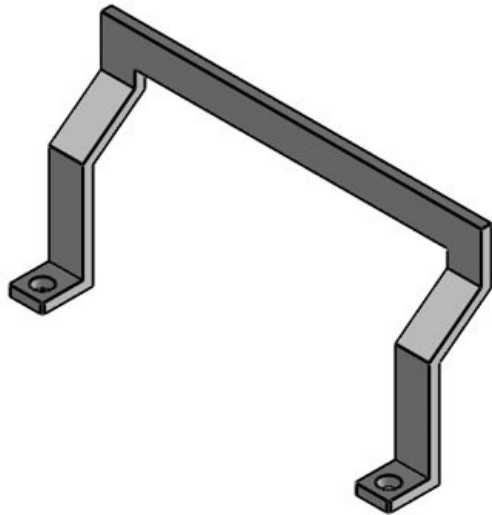
KEL-EMC-PFM 10

Part No.	39184	Mounting height	22 mm
EAN	4251269318	Suitable for cable entry systems:	KEL-ER 10, KEL 10, KEL-U 10, KEL-QUICK 10, KEL-BES 10, KEL-BES-S 10
Package quantity	1		
Length L1	93 mm		
Length L2	83 mm		
Width	60 mm		
Height	22 mm		

**KDR-EMC-PFM 24**

Part No.	39191	Mounting height	30,5 mm
EAN	4251269321	No. of screw holes	2
Package quantity	1	Diam. of screw holes	5,5 mm
Length	140 mm	Suitable for cable entry systems:	KDR-ESR-VX25
Length L2	130 mm		
Width	60 mm		
Height	30,5 mm		





Part No.	39192	Mounting height	30,5 mm
EAN	4251269321	No. of screw holes	2
Package quantity	1	Diam. of screw holes	5,5 mm
Length	113 mm	Suitable for cable entry systems:	KDR-ESR-VX25
Length L2	103 mm		
Width	60 mm		
Height	30,5 mm		